

LD Picture Light



Miniature 24V LED Picture Light

Data sheet - Page 1



Design: Brilliant Lighting Product: LD Picture Light

LD picture lights are designed to light paintings and artwork effectively; which means with adequate light and good colour rendering with no UV. LD Picture lights now come with 90+ CRI LEDs, for even better colour rendering and even higher lumen output. Depending on the finishes specified, they will suit projects with either period or contemporary furnishings and décor.

Key Features

- Brand new choice of LED tapes with higher outputs
- New 90+ CRI option
- Very slim profile for minimal viewing angles
- Height adjustable with 90deg tilt head LED assembly is set deep within the profile for reduced glare
- Very lightweight
- High quality look and feel with machined end caps and brass arms
- Standard lengths and custom lengths available
- Frosted cover available for a more diffused wash
- Available with Switched, 1-10V, DMX or Dali drivers



Specification

LED output options	LG1200 1200 lm/m		LG2000 2000 lm/m	
Applications				
Description	Standard output tape		High output tape	
Colour Temperature	2000K / 2400K 5000K	2700K / 3000K 4000K	2000K / 2400K 5000K	2700K / 3000K 4000K
CRI	80+	90+	80+	90+
Delivered lumens / m	1200lm/m		2000lm/m	
Lumens per watt	115lm/w		111lm/w	
Voltage (V)	24V DC			
LED cut increments	100mm			
LED spacing	14.3mm			
Min length	230mm			
Max length*	3030mm			
LED	Osram Flex			
Watts / m	10.4W/m		18W/m	
LED lifetime	50,000hrs (to 70% lumen output)			
Max ambient temperature	45°C			
Materials	Silver anodised aluminium extrusion, aluminium machined end caps, brass arms and knuckle joints			
Cable length	Comes pre-wired with 2 single 500mm leads			
Accessories	Clear, frosted cover			
IP rating	IP40			

* Shipping and practicalities of installation need to be considered when specifying long lengths

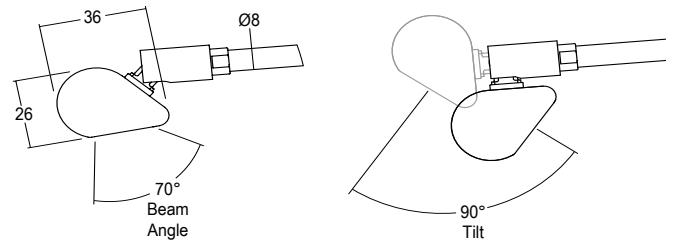
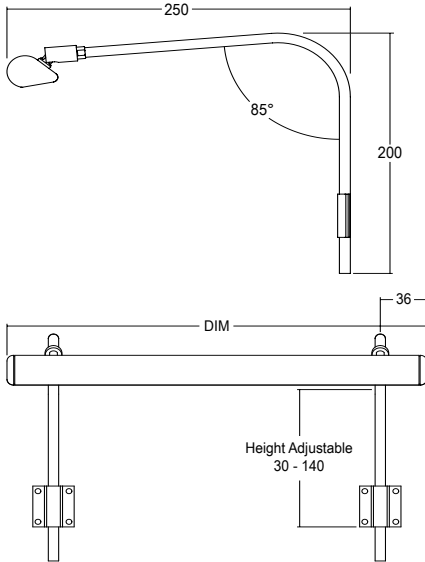
LD Picture Light

Miniature 24V LED Picture Light



Data sheet - Page 2

Fixing Options and Dimensions



Product Length	Arms
230mm - 330mm	1
430mm - 1230mm	2
1330mm - 2130mm	3
2230mm - 3030mm	4

Wet spray finishes

LightGraphix has had four custom colours made up to allow us to give a much closer match to our anodised finishes. This allows us to match the finish of all the component parts of the LED picture light, which is manufactured from many different materials.



Mounting a driver behind a picture

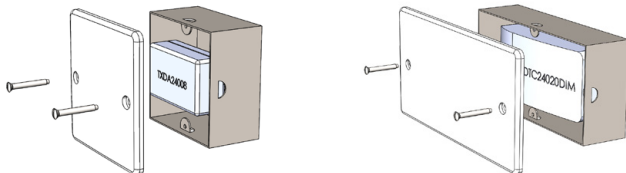
If the LED driver can not be located remotely then one of the drivers below can be located in a box recessed into the wall behind the picture (wall box supplied by others).

TXDA24008 (8W)

Non dim, to suit standard single gang wall box

TXDTC24020DIM (20W), DALI (16W)

1-10V / DALI dim, to suit standard double gang wall box



Order Codes and Options

Product code	LED	LED colour	Cover	Finish
LD-PL***				

Example: LD-PL330 / LG2000 / LW30 / FC / White RAL 9001

Example product length codes

230mm - Single arm	LD-PL230
330mm - Single arm	LD-PL330
430mm	LD-PL430
530mm	LD-PL530
630mm	LD-PL630
Custom lengths up to 3030mm	LD-PL****

LED output options

LED output options	Suffix
LG1200 - 1200 lm/m - 10.4W/m	/LG1200
LG2000 - 2000 lm/m - 18W/m	/LG2000

LED colour options

LED colour options	Suffix
Candle White (2000K) - LG1200 & LG2000 only	/LW20
Super Warm White (2400K) - LG1200 & LG2000 only	/LW24
Extra Warm White (2700K)	/LW27
Warm White (3000K)	/LW30
White (4000K)	/LW40
Cool White (5000K)	/LW50

Cover options

Clear	/CC
Frosted	/FC

Finish options

Paint finishes – Matt white RAL 9016, Cream white RAL9001, Matt black 9005, Antique bronze, Satin antique brass, Satin brass, Silver anodised
Special finishes – please discuss with our sale team

To be used with 24V constant voltage LED Drivers and Controllers

We offer a range of drivers with 1-10V, DMX, DALI and Mains dimming options. Please download the data sheet from the downloads section at www.lightgraphix.co.uk, or contact us for more information